

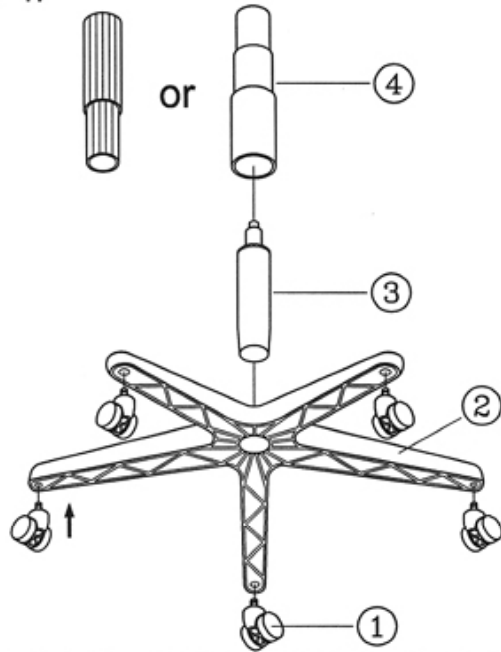


Assembly Instructions for Chair No. CH750

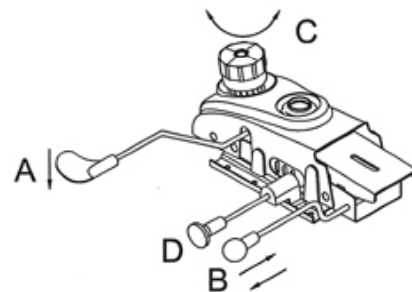
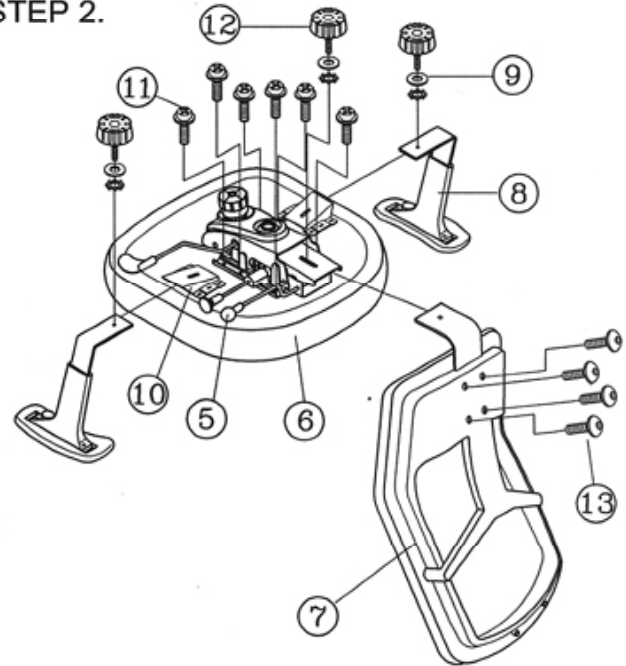
PART LIST

KEY	QTY	DESCRIPTION	KEY	QTY	DESCRIPTION	KEY	QTY	DESCRIPTION
1	5	Casters	6	1	Seat	10	2	Arm Bracket
2	1	Base	7	1	Backrest	11	6	SEat Plate Screws
3	1	Gas Cylinder	8	2	Armrest	12	1	Backrest Tight Knob + Washers
4	1	Cylinder Cover	9	2	Arm Width Adjustment Knob + Washers	13	4	Backrest Screws
5	1	Seat Plate						

STEP 1.



STEP 2.



MECHANISM OPERATING INSTRUCTION WHILE SEATING :

- (A) SEAT HEIGHT ADJUSTMENT :
Pull lever up and downward . Release lever when desired position is reached.
- (B) BACK TILT ADJUSTMENT :
Pull lever horizontally . Move backrest to tilt . To lock in upright position , push lever in.
- (C) TILT TENSION ADJUSTMENT KNOB :
Rotate knob clockwise / counterclockwise to adjust tilt tension based on body weight.
- (D) Pull handle bar out , allows seat to slide forward and backward . Release handle bar to lock desired seat position.

